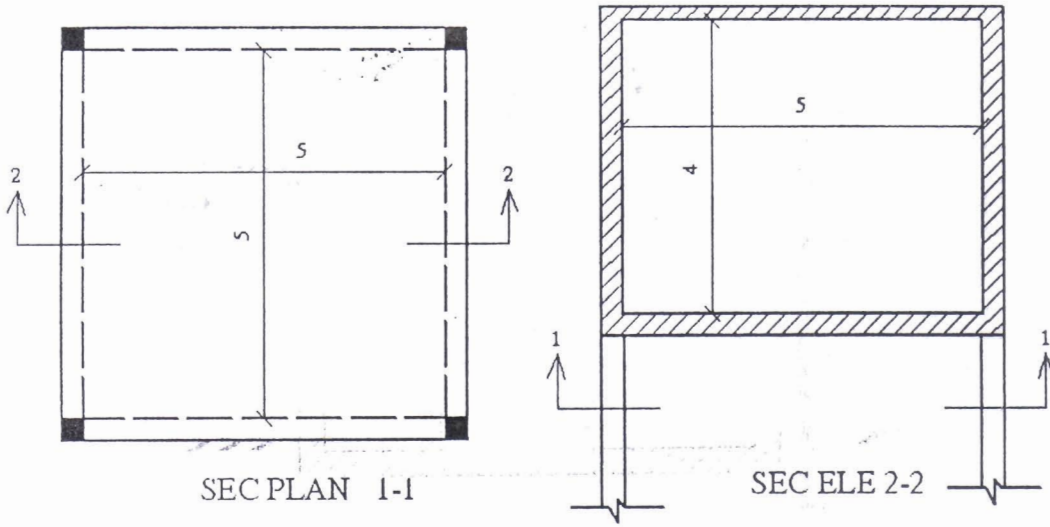
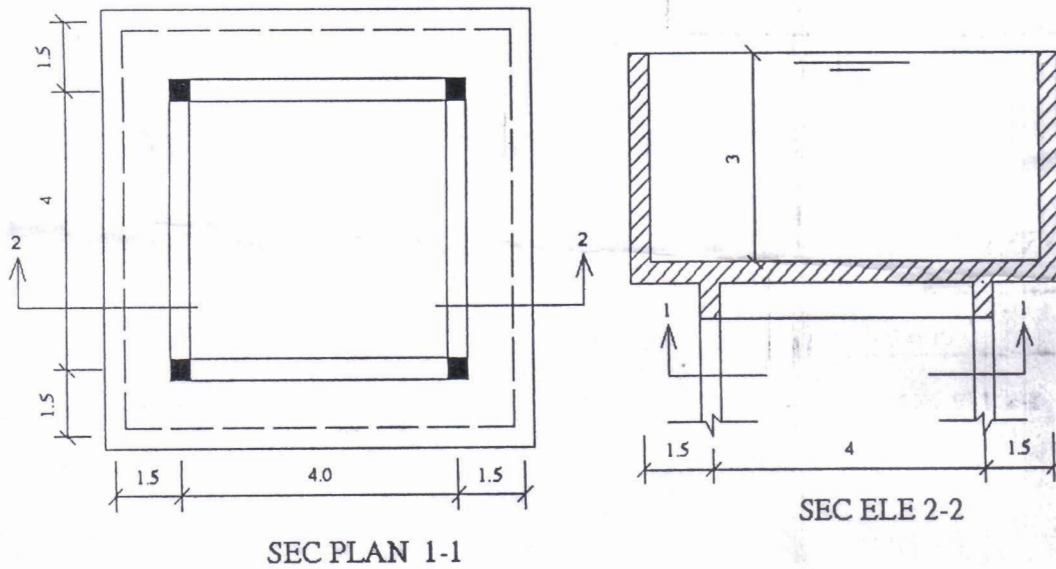


- Give a complete design for the following water tanks and draw with a reasonable scale the details of reinforcement, assuming that  $f_{cu}=30 \text{ Mpa}$  &  $f_y = 360 \text{ Mpa}$ .

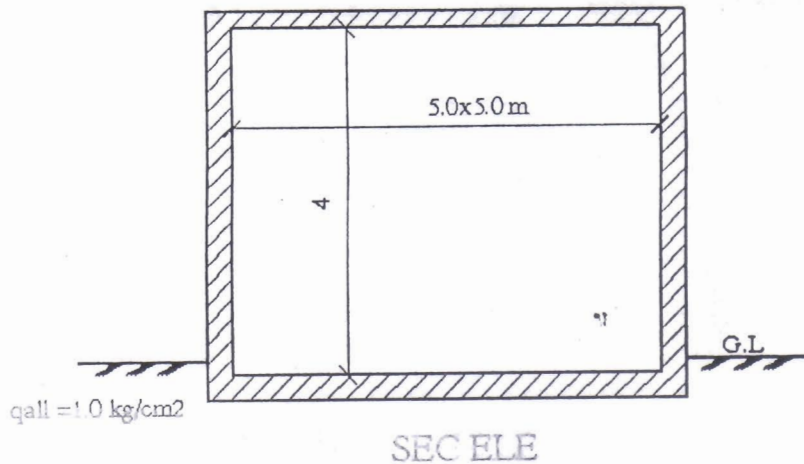
**Tank 1**



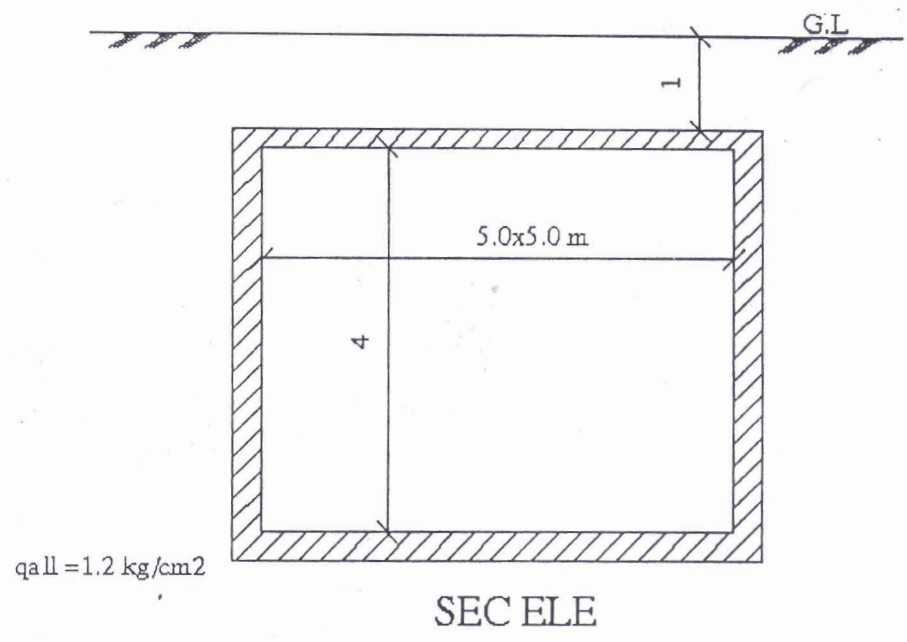
**Tank 2**



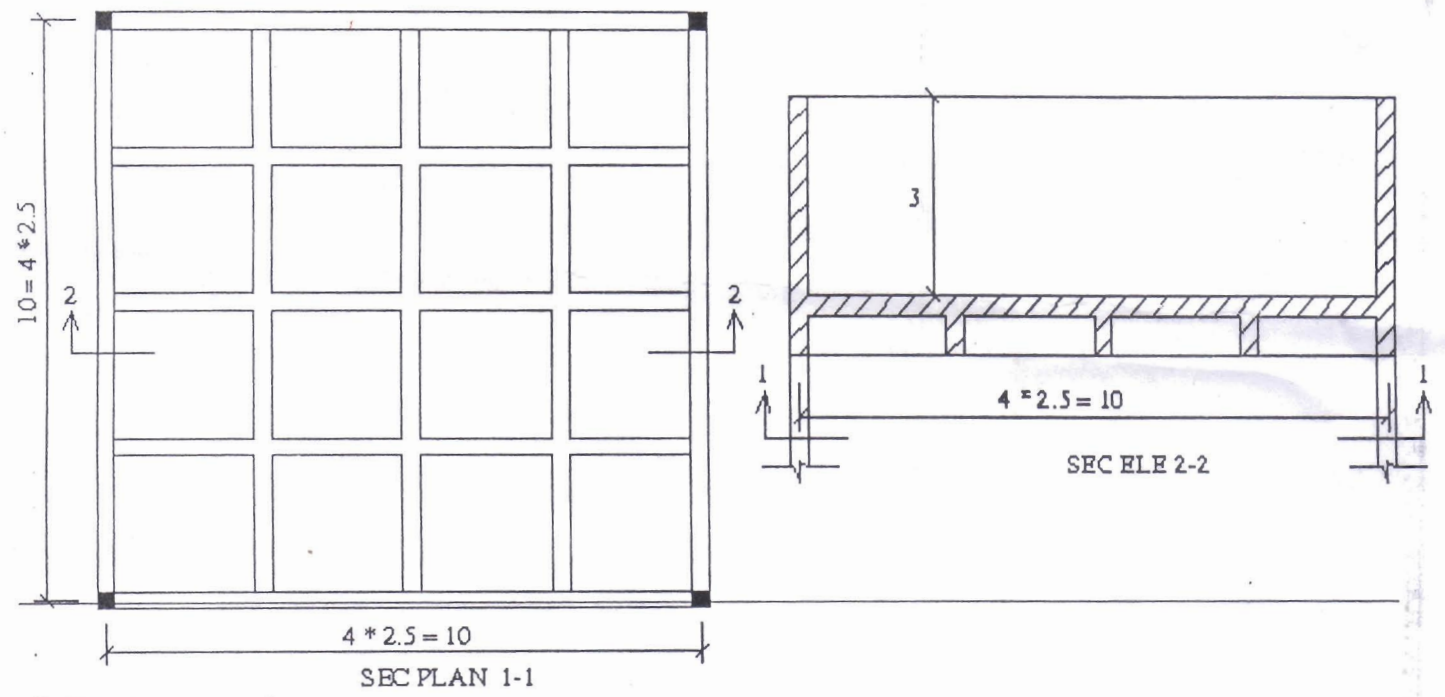
**Tank 3**



4



Tank 5



-6-Open channel:

